

310 and 315: Cabinet Installation Instructions

For models 301, 302, and 304 of the Series 300 furniture.

Hardware List:

Qty.	Item
2	L-Brackets
6	#8 - 5/8" Pan Head Wood Screws
2	#8 - 2 1/4" Pan Head Wood Screws

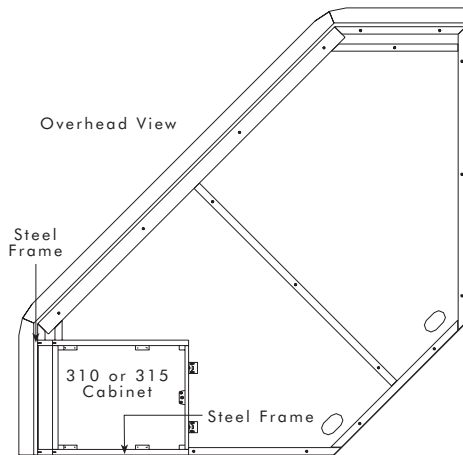


Thank you for purchasing your DEPCO Technology Lab Furniture! If you need further assistance, please call 1-800-767-1062.

Step 1:

Follow all instructions for the 301, 302, or 304 except on the leg or legs that you would like to replace with the 310 and/or 315 cabinets.

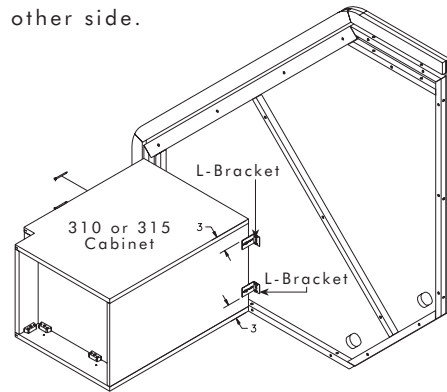
Set cabinet under the workstations steel frame. Line up the front and outside edge of cabinet with the steel frame.



Step 2:

Place L-Bracket on the back of the cabinet and slide it up to the top. Measure 3" over from the outside of the cabinet to the edge of L-Bracket. Secure with three of the #8 - 5/8" Pan Head Wood Screws (use two for the top and one for the back of the cabinet).

Repeat the above instructions for the other L-Bracket on the other side.



310 and 315: Cabinet Installation Instructions

For models 301, 302, and 304 of the Series 300 furniture.

Step 3:

Secure front of cabinet with two #8 - 2¼" Pan Head Wood Screws through holes in top of cabinet. Be careful not to over tighten the screws.

Note: The 315 cabinet should always go on left side.

